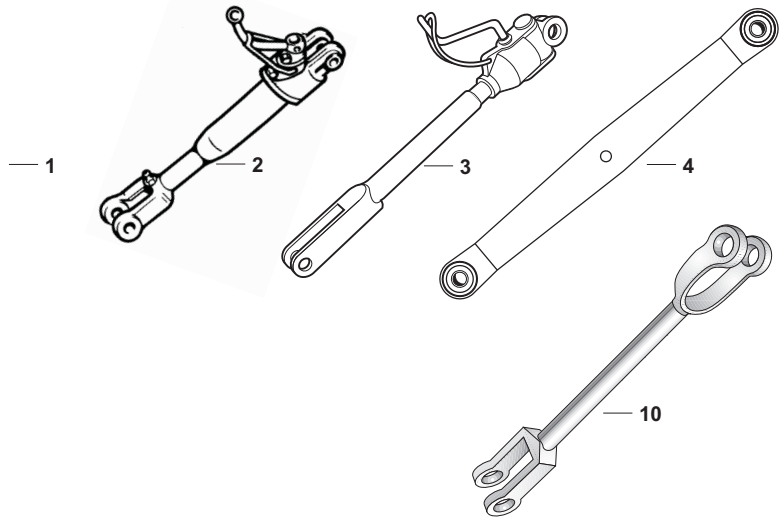
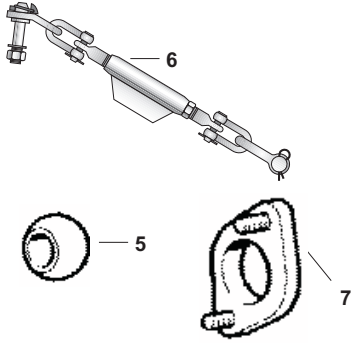


# 3 Point & Drawbar

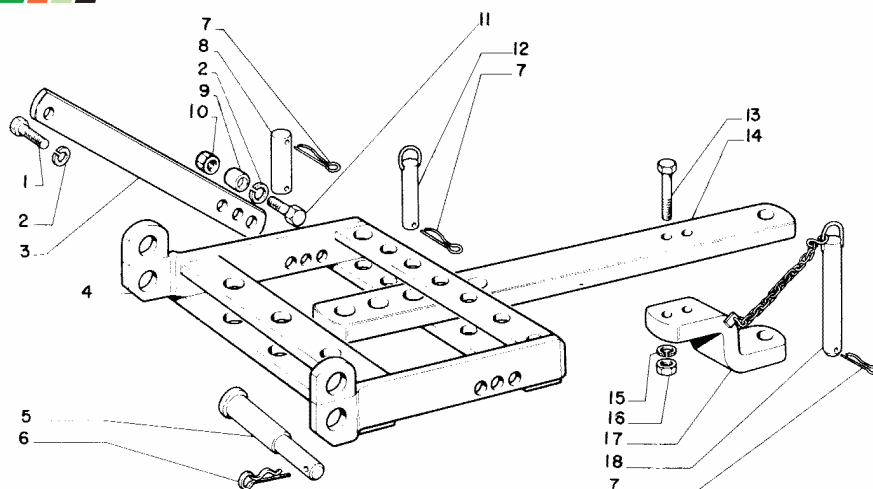


\*NOTE: Some Replacement parts do not look like original.

OUR #	DESCRIPTION	EQUIVALENT	TRACTOR MODEL
1			
1			
2	<b>R60235</b> Leveling Box Assembly	677469AS 30-3056031	<b>1255, 1265, 1270</b>
2	<b>R69897</b> Leveling Box Assembly		<b>1365, 1370, 2-60</b>
3*	x		
4	<b>R62498</b> Lift Arm - Lower (Cat 1-2)	31-2902172	<b>(1265, 1270 SN 310481&gt;), 2-50</b>
4	Lift Arm - Lower	30-3013235	1365 ( sn > 721487)
4	Lift Arm - Lower	31-2902271	1365 ( sn 721488 >)
5	Ball, Category I	30-3013391	Most Fiats
5	Ball, Category II	30-3013324	Most Fiats
6	<b>R03289</b> Chain Stabilizer w/ Heavy Duty Eyelets (Min 19 1/2", Max 23")	674671A 672487A 672488A	<b>1255, 1265, 1270, 1355, 1365, 1370, 2-50, 2-60</b>
6	<b>R03290</b> Chain Stabilizer (Min 19 1/2", Max 23")	674671A 672487A 672488A	<b>1255, 1265, 1270, 1355, 1365, 1370, 2-50, 2-60</b>
7	Retainer, Lift Ball	30-3024938	Most Fiats

# 3 Point & Drawbar

Taken from 1365 Oliver form 433200A Parts Book



OUR #	DESCRIPTION	EQUIVALENT	TRACTOR MODEL
			PARTS LISTED FOR REGULAR DRAWBAR (NOT HI-CLEARANCE)
1	Cap Screw	672813A	
2	Washer, Lock	672802A	
3	Rod	30-3012492	
4	Frame	30-3012468	
5	Pin	677357A	
6	Pin	671052A	
7	Pin	670603A	
8	Pin	30-3012476	
9	Not Used		
10	Nut	672816A	
11	Cap Screw	672812A	
12	Pin	30-3012484	
13	Cap Screw	677360A	
14	Drawbar	30-3012506	
15	Washer, Lock	672801A	
16	Nut	676696A	
17	Bracket	677358A	
18	Pin	677356A	
			RICKSAGRIPARTS@GMAIL.COM