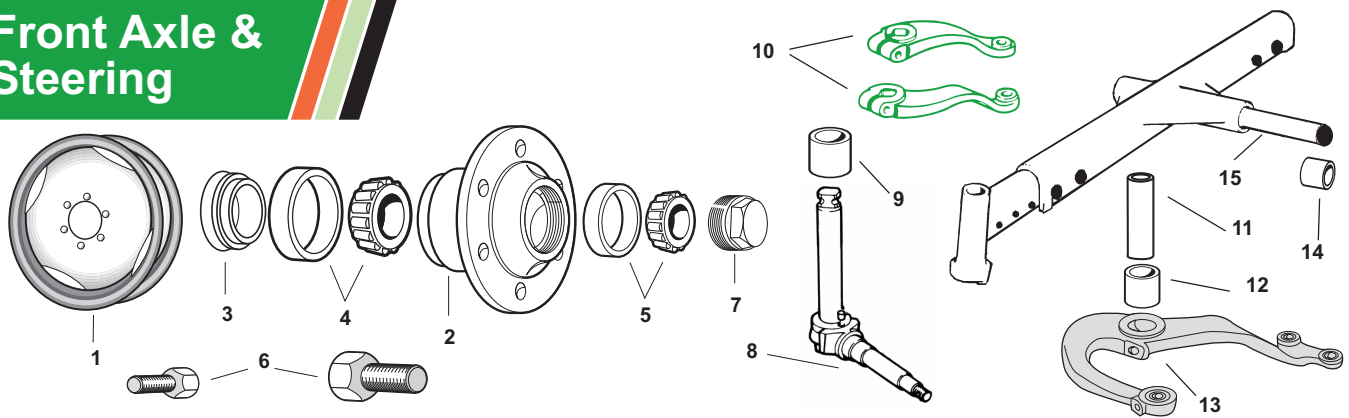
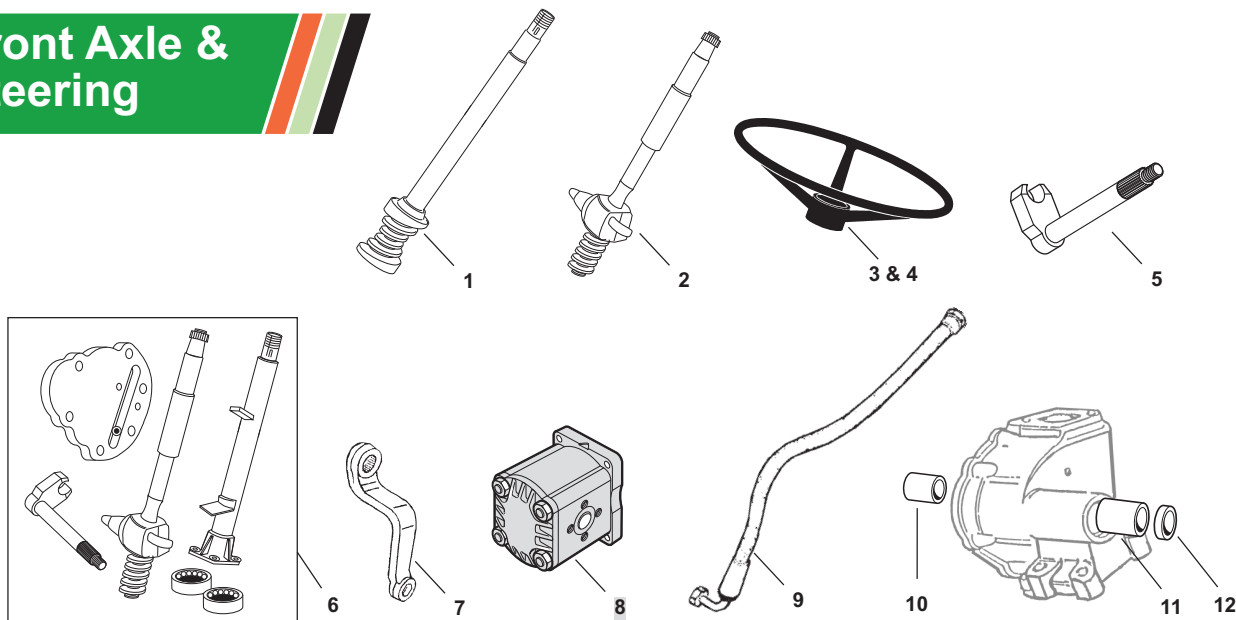


Front Axle & Steering



OUR #	DESCRIPTION	EQUIVALENT	TRACTOR MODEL
1	R61975 Rim (5:50 x 16)	30-3030814 31-2906071	1355, 1365, 1370, 2-60 Note: Lug Nut Holes are not Chamfered use: 6 Bolts - R51531, 6 Washers - R06821
2	R61198 Hub	677394A 31-2902252	1250A, 1255, 1265, 1270, 1355, 1365, 1370, 2-50, 2-60
3	R62301 Seal	670219A	1250, 1250A, 1255, (1265, 1270, Prior SN310480) 1355 (1365, 1370 Prior 721487)
3	R61972 Seal	31-2902137	(1265, 1270, SN 310481>) (1365, 1370 After 721487) 2-50, 2-60
3	R62292 Seal	31-2902303	(1465, 1470 SN 771908>), 700
4	R18107 Inner Bearing (6307)	672415A	1250, 1250A, 1255, 1265, 1270, 1355, 1365, 1370, 2-50-2-60
5	R18105 Outer Bearing (6305)	672423A	1250, 1250A, 1255, 1265, 1270, 1355, 1365, 1370, 2-50, 2-60
5	R18509 Outer Bearing	31-2904283	700
6	R62300 Bolt	670081A	1250, 1250A, 1255, 1265, 1270, 1355, 1365, 1370, 2-50, 2-60
6	R51549 Bolt	31-2904331	700
7	R61199 Cap	31-2900062 670207A	1250, 1250A, 1255, 1265, 1270, 1355, 1365, 1370, 1465, 1470, 2-50, 2-60, 700
8	R61196 Spindle - RH	31-2902250	1365, 1370, 2-60
8	R61197 Spindle - LH	31-2902251	1365, 1370, 2-60
9	R61971 Bushing - Spindle	670214A	1250, 1250A, 1255, 1265, 1270, 1355, 1365, 1370, 2-50, 2-60
10	R61142 Arm - RH	672545A	1250 Diesel only, 1250A, 1255, 1265, 1270, 1355, 1365, 1370, 2-50, 2-60
10	R61143 Arm - LH	672624A	1250 Diesel only, 1250A, 1255, 1265, 1270, 1355, 1365, 1370, 2-50, 2-60
11	R61973 Steering Arm Pin	677371A	1250A, 1255, 1265, 1270, 1355, 1365, 1370, 2-50, 2-60
12	R61974 Steering Arm Bushing	672548A	1250 Diesel, 1250A, 1255, 1265, 1270, 1355, 1365, 1370, 2-50, 2-60
13	R61976 Steering Arm	30-3045978 31-2902132	1255, 1265, 1270, 1355, 1365, 1370, 2-50, 2-60
14	R58904 Bushing - Axle Pin	670211A 31-2901636	1250 Diesel, 1250A, 1255, 1265, 1270, 1355, 1365, 1370, 2-50, 2-60
15	R69810 Axle Pin	672659A	1250 Diesel, 1250A, 1255, 1265, 1270, 1355, 1365, 1370, 2-50, 2-60

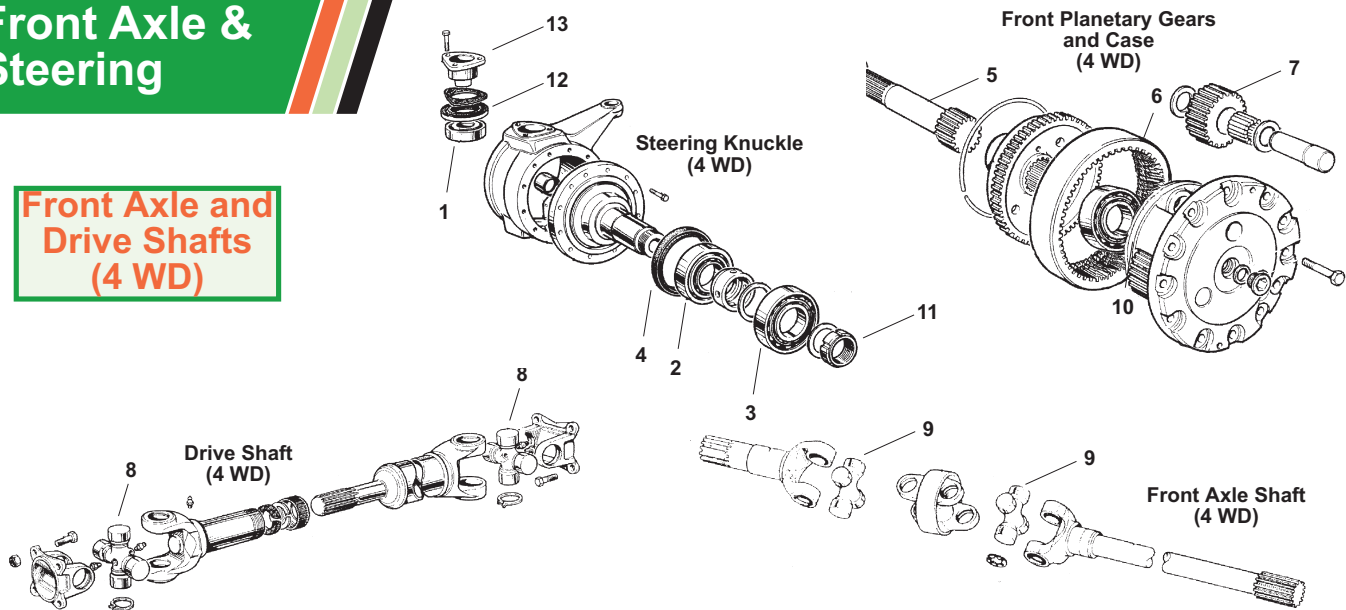
Front Axle & Steering



OUR #	DESCRIPTION	EQUIVALENT	TRACTOR MODEL
1	R61145 Steering Shaft - Keyed	677367A	1250A, 1255 (2WD), 1265, 1270, 1355, 1365, 1370, 2-50, 2-60 > SN 789610
2	R61140 Steering Shaft - Splined/Ballnut	31-2905190	2-60 SN 789611 >
3	R61109 Steering Wheel - Keyed	672581A	1250, 1250A, 1255, 1265, 1270, 1355, 1365, 1370, 1450, 2-50, 2-60
4	R61152 Steering Wheel - Splined	31-2901205	2-60
5	R69812 Rocker	677369A	1250A, 1255, 1265, 1270, 1355, 1365, 1370, 2-50, 2-60
6	R61952 Steering Gear Repair Kit (Contains: Bearing Cups, Balls Shaft w/ Ball Nut, Roller Shaft, Roller, Cover w/ Adjusting Stud, Upper Tube & Bushing,)	31-2905191 31-2905190 31-2905180 31-2905177 31-2905188 31-2905189 31-2905172	2-60 SN 789611 >
7	R60540 Arm	31-2905165 72093839	2-60 SN 789611 >
8	R60283 Power Steering Pump	30-3053245	1255, 1265, 1270, (2-50 4 WD)
8	R60281 Power Steering Pump	670710AS 31-2906472	1450, (2-50 2 WD)
9	R61539 Power Steering Hose Pump to Cylinder (Pressure)	31-2900089	1265, 1270, 1355, 1365, 2-50, 2-60 (2 WD)
9	R61591 Power Steering Hose Pump to Cylinder (Pressure)	31-2900320	1365, 1370, 2-60 (4 WD)
10	R69813 Bushing	671556A	1250, 1250A, 1255, 1265, 1270, 1355, 1365, 1370, 1450, 1465, 1470, 2-50, 2-60 > SN 789611
11	R69814 Bushing	671558A	1250, 1250A, 1255, 1265, 1270, 1355, 1365, 1370, 1450, 1465, 1470, 2-50, 2-60 > SN 789611
12	R59038 Seal	671672A	1250, 1250A, 1255, 1265, 1270, 1355, 1365, 1370, 1450, 1465, 1470, 2-50, 2-60 > SN 789611

Front Axle & Steering

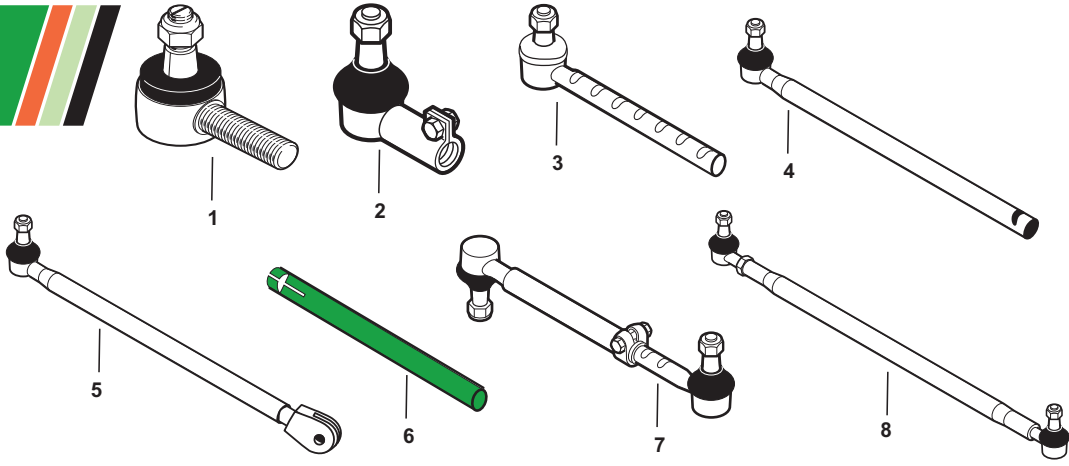
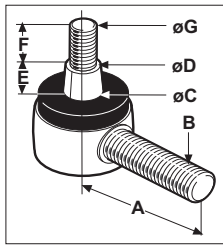
Front Axle and Drive Shafts (4 WD)



OUR #	DESCRIPTION	EQUIVALENT	TRACTOR MODEL	
1	R62487	Bearing	31-2900540	1265, 1270, 1365, 1370, 2-50, 2-60
1	R62488	Bearing	31-2900539	1465, 1470
1	R62486	Bearing	31-2905802	700 (Late Model)
2	R18248	Bearing (32014)	31-2900283	1265, 1270, (1365, 1370 SN 767375>), 2-50, 2-60, 700
2	R18223	Bearing (30215)	676371A	1250, 1250A, 1255, 1355, 1450
3	R18250	Bearing (32016)	31-2900284	1265, 1270, 1365, 1370, 2-50, 2-60
3	R18222	Bearing (30214)	676370A	1250, 1250A, 1255, 1355, 1450
4	R62304	Seal (5.90" x 4.92" x .699")	31-2900295	(1365, 1370 Prior to SN 767375), 1465, 1470
4	R62302	Seal (4.92" x 4.13" x .472")	31-2904327	700
5	R75922	Shaft	31-2904116	700
6	R75921	Gear	31-2904115	700
7	R75920	Gear	31-2904117	700
8	R02448	Cross Kit - Drive Shaft (27mm x 74.5mm)	30-3039153	1255, 1355
8	R02449	Cross Kit - Drive Shaft (30mm x 92mm)	31-2900585	1365, 1370, 2-60
8	R62346	Cross Kit - Drive Shaft (35mm x 96.8mm)	31-2902458	1365, 1370, (w/ Non-regreasable Drive Shaft Part #31-2902454)
9	R06459	Cross Kit - Axle Shaft (27mm x 82mm)	31-2900588	1265, 1270, 1365, 1370, (SN 767376>) 2-50, 2-60
9	R02449	Cross Kit - Axle Shaft (30mm x 92mm)	31-2900585	1365, 1370, (up to SN 767375) 1465, 1470
10	R18225	Bearing (30217)	31-2901906	1465, 1470
11	D2900361	Nut	31-2900361	G450, 1365, 1370 (up to sn 767375)
11	D2900371	Nut	31-2900371	G450, 1365, 1370 (sn 767376 >)
12	D2900388	Seal	31-2900388	G450, 1365, 1370 (up to sn 767375)
12	D2900389	Seal	31-2900389	G450, 1365, 1370 (sn 767376 >)
13	D2900414	Trunnion	31-2900414	G450, 1365, 1370 (sn 767376 >)

Front Axle & Steering

Tie Rods



OUR #	DESCRIPTION	EQUIVALENT	TRACTOR MODEL
1	R63165 Tie Rod End - A=81.3, B=M20 x 1", C=16.05, D=14.83, E=20.55, F=17.58, G=13.84	672550AS 72090115	1250 Outer, 1250A Inner, 1255 Inner, 1265 Inner, 1270 Inner, 1355 Inner, 1365 Inner, 1370 Inner, 2-50 Inner, 2-60 Inner
1	R63168 Tie Rod End - A=79.5 B=M20 x 1", C=20.17, D=21.39 E=18.01, F=19.35, G=15.82	31-2901916 31-2900313	1265 4 WD Outer, 1365 4 WD Outer, 1370 4 WD Outer, 2-50 4 WD Outer, 2-60 4 WD Outer, 700 4 WD Outer
1	R63169 Tie Rod End - A=76.2 B=M22 X 1.5, C=18.44, D=22.71 E=16.23, F=17.25, G=14.02	31-2901209 31-2903374	1465 , 1470
1	R63308 Drag Link End - A=108.00 B=M24 x 1.5" Rear, C=20.27 D=18.24, E=23.33, F=23.22, G=15.88	31-2901219 31-2901912	1465 , 1470
2	R63166 Tie Rod End - A=97.2 B=M28 x 1.5", C=18.29, D=16.76 E=21.03, F=18.06, G=13.77	675530A	1250 4 WD, 1250A 4 WD, 1255 4 WD, 1355 4 WD, 1450 2 WD-RH, 1450 4 WD,
3	R63171 Tie Rod End - A=401.3 B=M20 7 Groove, C=15.93 D=14.88, E=17.07, F=17.12 G=13.84	30-3012581 677373AS	1365 Outer, 1270 Outer, 1355 Outer, 1365 Outer, 1370 Outer, 2-50 Outer, 2-60 Outer 1250A Outer, 1255 Outer, 1265 Outer, 1270 Outer
4	R63172 Tie Rod End & Tube - A=438.2 B=M20, C=16.05, D=14.83 E=20.55, F=17.58, G=13.84	677374AS 30-3047202	1250A Inner-LH, 1255 Inner-LH, 1265 Inner-LH, 1270 Inner-LH,
4	R63174 Tie Rod End & Tube	672664AS	1250 Inner LH
4	R63311 Tie Rod End - A=27.94 B=M20x1, C=1.605, D=1.483 E=2.055, F=1.674, G=1.384	30-3053148	1255 Inner LH
5	R63313 Drag Link	677375AS 31-2901634 31-2902134	1250A , 1255 , 1265 , 1270
6	R63310 Tube - A=398.3, B=M20 x 1	30-3012573	1355 , 1365 , 1370 RH
7	R63179 Tie Rod Assembly - A=487.7	31-2900155 30-3012581 30-3012573	1355 , 1365 , 1370
8	R63193 Tie Rod Assembly (Complete) A=475.0, B=M20x1, C=20.17 D=18.19, E=22.96, F=22.78, G=15.9		1265 4 WD, 1270 4 WD, 1365 4 WD, 1370 4 WD, 2-50 4 WD
8	R63182 Tie Rod Assembly - A=51.77 B=M28x1.5, C=2.029, D=1.184, E=2.286, F=2.032, G=1.524	31-2901910	1465 , 1470 4 WD